

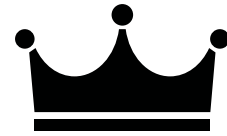
# Specifications

## Disposal Description

- EZ Mount twist-and-lock sink flange for fast and easy installation
- 1 HP permanent magnet motor delivers 2800 rpms of grinding power and reduces jams
- Lined with insulation to reduce sound
- Pre-installed power cord for easy plug-in install, no hardwiring or separate purchase required
- Stainless steel grinding components
- Reinforced polymer grind chamber resists corrosion and extends disposal life
- Continuous feed disposal activates via a wall switch or sink-mounted air switch
- Compact, lightweight design saves space
- Removable, replaceable splash guard
- Safe to use with properly sized septic tanks
- Front-mounted reset button

## Included Components

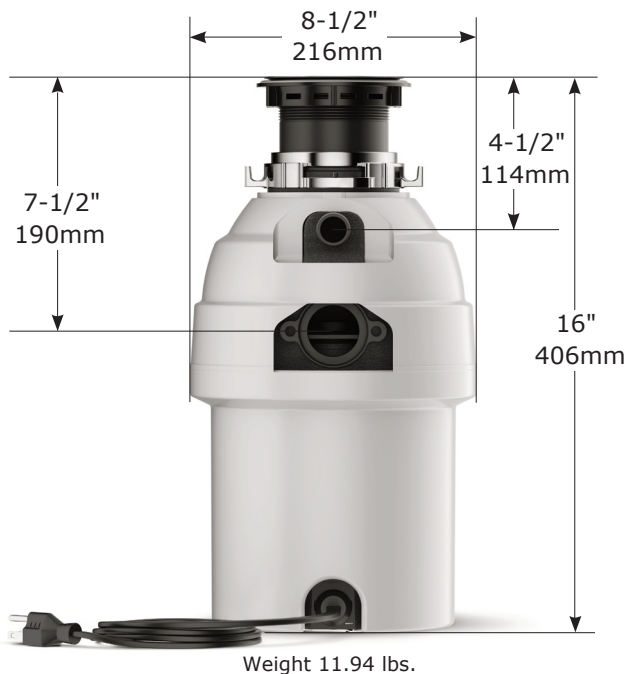
- Waste King L-8000 EZ Mount Disposal Unit
- Pre-installed power cord
- Removable splash guard
- Reinforced polymer sink flange and drain stopper
- Drain elbow and EZ-Mount mounting assembly



## WASTE KING Model L-8000



### Critical Dimensions



### Specification Detail

Specification Detail	
Motor Horsepower	1 H.P.
R.P.M.	2800
Mount	EZ Mount
Sound Insulation	Yes
Overload Protector	Manual Reset Type
Voltage,HZ	115, 60
Current-Amps	7.0
Power Cord	Pre-Installed
Motor Type	Permanent Magnet
On/Off Control	Wall Switch
Drain Connection Size	1-1/2 inch drainpipe
Dishwasher Compatibility	7/8 inch rubber dishwasher drain hose
Maximum Sink Thickness	1/2 inch
Sink Flange Material	Reinforced Polymer
Sink Flange Finish	Stainless Steel
Splash Guard	Removable
Feed	Continuous
Internal Grind Component Material	Stainless Steel
Grind Chamber Material	Reinforced Polymer