

sinkmaster[®] (S.A.)

FOOD WASTE DISPOSERS

MODEL 2000-3 FOOD WASTE DISPOSER SPECIFICATIONS



EXCLUSIVES

- Stainless Steel Swivel Impellers swivel and retract if they are jammed so that they return to the grinding position during revolution, reducing motor overloading and costly jams. Waste King's stainless steel swivel impellers eliminate the need for reversing switches and special "de-jamming" wrenches.
- Stainless Steel Undercutter Blade located beneath the grind ring snips fibrous and stringy waste into small particles making them less likely to clog drain lines.
- Hush-Cushions[®] isolate the unit from metal to metal contact, significantly reducing noise level. Hush-Cushions[®] are specially compounded and designed to withstand vibration and tension, and have a built-in safety splash guard.

FEATURES

- 2 HP disposer, dual voltage
- Fan cooled motor with ball bearing construction, and integral overload protection
- Dynamically balanced for smooth, long wearing operation
- Hush Cushion[®] mounting connection for 6" cone or sink opening
- Cast Iron grind chamber with directional feeder ridges
- Cast iron exit chamber with auxiliary water injection inlet
- 6 1/4" Diameter heavy duty, cast stainless steel turntable with tungsten carbide inserts
- 2 Jam resistant, hardened stainless steel swivel impellers
- Stainless steel undercutter blade
- Hard, tough, cast alloy grind ring with dual stage grinding action
- Threaded adjustable stainless steel legs
- Lifetime particle size control by non-wearing exit slots

APPLICATION ***MEDIUM SIZED RESTAURANTS WITH HEAVY VOLUME
GENERALLY BUT LIGHT VOLUME OF RED MEAT BONE***

PLUMBING

Model 2000 is equipped with a drain outlet for connection to a conventional 1.5 inch trap. The trap may be connected to a 2 inch branch waste line running directly into a waste stack. We recommend a slope in the waste line of not less than a 1/4 inch per foot.

MOTOR DATA

2000-3

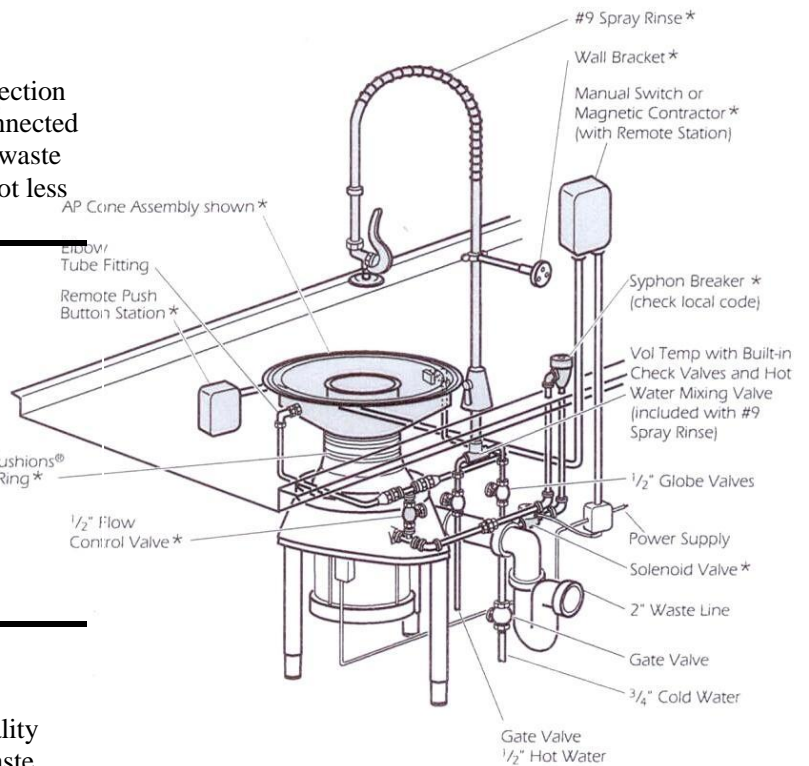
- 60 Cycle
- 3 Phase
- 2 HP
- 1725 RPM
- 208-240/460 volts
- 3.2/1.6 amps

Bearing permanently lubricated
Manual reset overload protection in motor

TO SPECIFIERS

So that you may be assured of receiving the fine quality you expect when you specify a Sinkmaster Food Waste Removal System, we include the following sample specification for your convenience:

- Food waste disposer shall be 1 HP, 60 cycle, 3 Phase with 208-240/460 volts.
- There shall be a rubber Hush-Cushions® between the disposer and the cone or sink to eliminate metal to metal contact.
- Turntable shall be of stainless steel with jam resistant impellers of stainless steel and stainless steel cutting blade rotating below the exit slots.
- Grind ring shall be precision ground on all cutting surfaces and shall have non-wearing size control exit slots.
- Disposer shall have a totally enclosed, continuous duty, fan cooled motor with integral overload protection.



- Each Unit Supplied With
- Solenoid Valve
 - DOL Starter
 - Swirl Sprayers
 - Stainless Steel Cone

ROUGH IN DIMENSIONS

Cone Mounted Models

	Model 2000-1		Model 2000-3	
	IN	CM	IN	CM
A	31 7/8-34 5/8	81-87.9	31 7/8-34 5/8	81.0-87.9
B	22 1/4	56.5	21 3/4	55.2
C	6 5/8	16.8	6 5/8	16.8
D	6	15.2	6	15.2
E	16 1/4	41.3	16 1/4	41.3
F	16	40.6	16	40.6
G	25 1/4-28	64.1-71.1	25 1/4-28	64.1-71.1
H	5 1/8	13.0	5 1/8	13.0
J	5 3/4	14.6	5 3/4	14.6
K	2 5/8	6.7	2 5/8	6.7
L	6 1/2	16.4	6 1/2	16.4

NOTE:
The legs can be cut shorter if the unit must be lower than the minimum shown for the screw adjustment. 2\"/>